

HiFinity

Sliding System



Villa Garda Lake - Brescia, Italy
Studio Architettura Giustacchini
Photo: Piero Annoni



Reynaers
Aluminium

Windows.
Doors.
Façades.

Together for better

www.reynaers.com

The infinite view

HiFinity's elegant design creates seamlessly endless transparent surfaces with a minimalistic look.

The high-end aluminium sliding system combines panoramic views with impressive performance levels to enhance any architectural style. What is more, optional triple glazing and multiple insulation levels make HiFinity the perfect choice for any low-energy contemporary project.

A premium solution by Reynaers Aluminium, HiFinity not only looks great, it allows for easy access and effortless operation too. Choose from various threshold options and user-friendly configurations to create your ideal sliding solution, both for high-rise and low-rise building projects. HiFinity adds to your peace of mind, guaranteeing burglarproof safety at all times (RC 2 / RC 3 / PAS 24). As a result, these sliding doors are a responsible investment that lasts a lifetime.



Private House - Ghent, Belgium
Arch & Teco
Photo: Debbie De Brauwer

Premium quality sliding solution.

HiFinity is engineered for superior performance, delivering exceptional insulation, energy efficiency, and weather resistance to keep your home comfortable year-round. Its advanced triple glazing compatibility and detailed finishing ensure optimal thermal and acoustic results. An optional integrated motor can move heavy vents of up to 750 kg.

Eye-catching, minimalistic design.

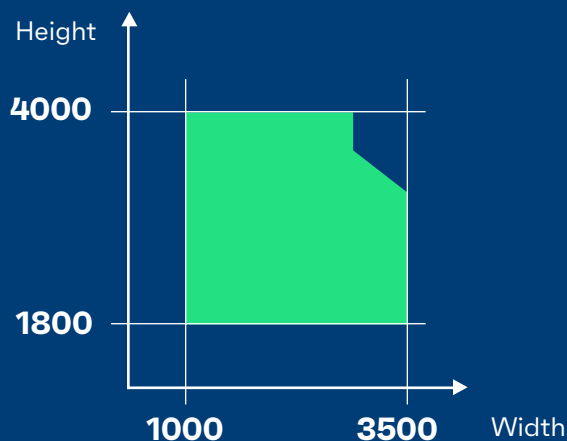
Experience unparalleled elegance with HiFinity, the sliding system that transforms every view into a masterpiece. With its ultra-slim 35-mm frames and expansive glass panels, HiFinity creates a seamless connection between indoor and outdoor spaces. Design variants such as Open Corner, Pocket and Zero Threshold solutions deliver a refined, sophisticated finish that makes your project stand out.

Suitable for passive building projects.

Designed to meet passive building requirements of the future, the sliding system offers outstanding thermal performance (U_w down to $0.8 \text{ W/m}^2\text{K}$) and energy efficiency. With advanced insulation levels, optional triple glazing, and superior AWW tightness, HiFinity minimizes buildings' heat loss while maximizing your energy savings.

HiFinity General information

Possible moving vent sizes (mm)



Maximum vent weights (kg)

Slide manual	Slide motorised	Fixed vent
300 / 600*	750	1200

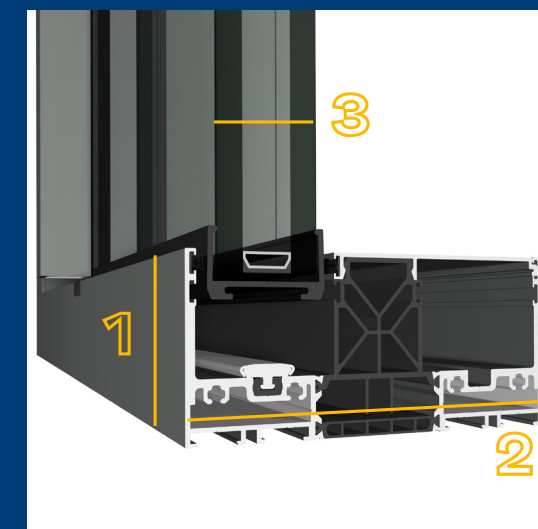
*600 kg for Magnetic Slider

Visible dimensions (mm)

2-rail Double Glazing

1	Frame height**	68
2	Frame depth	148
3	Glass thickness	36-38
4	Chicane width	35

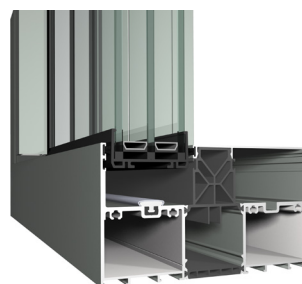
**Built-in frame = 0 mm visible



HiFinity Variants

High Insulation

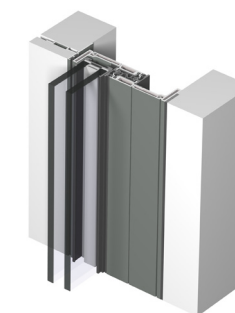
Thermal value - Uw (W/m²K)	Down to 0.8
Water tightness	E750 (750 Pa)
Wind load resistance	C5 (2000 Pa)
Burglarproof	RC 2 / RC 3 / PAS 24



Performance levels, dimensions and properties depend on size, profile combinations, hardware and infill choices. Please contact your Reynaers Aluminium representative for your ideal solution.

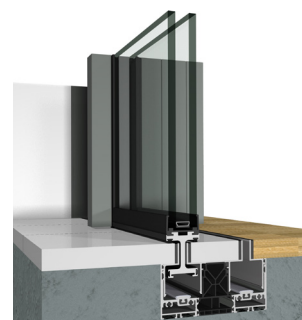
Pocket

Thermal value - Uw (W/m²K)	Down to 0.8
Water tightness	9A (600 Pa)
Wind load resistance	B4 (1600 Pa)

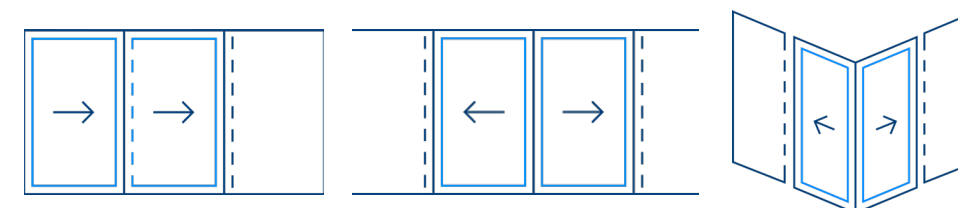


Zero Threshold Floor Finish

Thermal value - Uw (W/m²K)	Down to 0.8
Water tightness	7A (300 Pa)
Wind load resistance	B3 (1200 Pa)
Burglarproof	RC 2 / PAS 24



More variants can be found on our website...

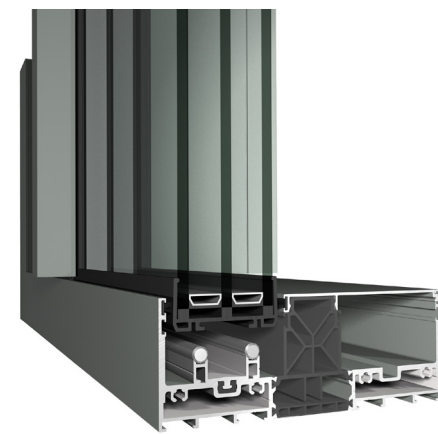




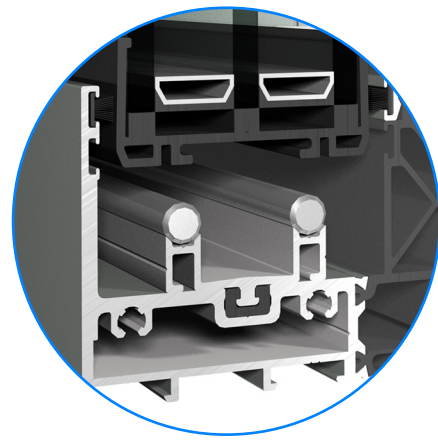
Duplex Seven Hearts - Lisbon, Portugal
Metric Hands System
Photo: Tiago Silva

NEW

HiFinity Magnetic Slider



Introducing the **HiFinity Magnetic Slider** - a revolutionary sliding door system featuring magnetic levitation. Powerful magnets glide above a precision steel rail, helping you effortlessly move vents up to 600 kg - twice the capacity of traditional wheels for manual operation.



Designed for triple-glass configurations with standard depth, it reduces operating forces by **30-50%** while providing a **maintenance-free, durable, and futureproof solution**. The new hardware is easy to retrofit, simply replacing the rail and wheels, making it ideal for existing HiFinity triple glass configurations.

Experience the perfect blend of cutting-edge technology, elegant design and comfort.



Learn more about this new solution on reynaers.com



Certified quality

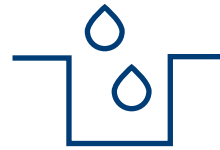
To guarantee the impeccable quality of these premium sliding doors, HiFinity may only be distributed by certified suppliers. At the Reynaers Campus Training Centre in Belgium, we offer detailed practical courses and expert support to our partner fabricators. By certifying professionals and keeping them up to date with the latest developments concerning HiFinity (including motorisation), end users can rely on the highest levels of finishing and performance which they come to expect of Reynaers Aluminium. Our commitment: your satisfaction.

HiFinity Options



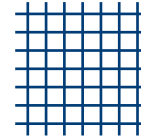
Access Control

When it comes to protecting your home or business, you want to have control over who has access to your building, and when. We offer a number of electronic access control systems to protect your residence or business facility.



Gutter

During heavy rain your system might have to process large quantities of water. An integrated gutter can help to guide this flow away from the window, even combined with tiled terrace floors. In most cases we offer aesthetically covered gutter solutions.



Flyscreen

We offer flyscreens in two variants: traditional & visible, or integrated & concealed flyscreens. Often overlooked at first, it is one of the most popular options amongst our customers.



Motorised

Motors make it easier to operate our products in case you do not want to open them manually. The components are integrated inside the profiles, so it does not impact the overall design.



Private Villa - Bergamo, Italy
Patrizia Marcandalli
Photo: Piero Annoni

Design

HiFinity's award-winning design speaks to the imagination. The most slender sliding system within our range, it allows for expansive glass surfaces in multiple opening variants. Create uninterrupted views with the Open Corner variant, or hide your moving vents into the wall with the clever Pocket solution. Whatever configuration you may need, HiFinity always takes your elegant design to the next level.



Sustainability

With optional triple glazing, HiFinity can increase your indoor comfort considerably, even meeting passive energy standards. What is more, the minimalistic sliding system has obtained a Cradle to Cradle® certificate thanks to its circular design and limited production waste. Add HiFinity's durable aluminium profiles and futureproof hardware to the mix, and you will understand these sliding doors are built to last.

Get in touch

Interested or looking for more in-depth technical information? Contact your Reynaers Aluminium representative for more information or scan the QR code to visit our website.

